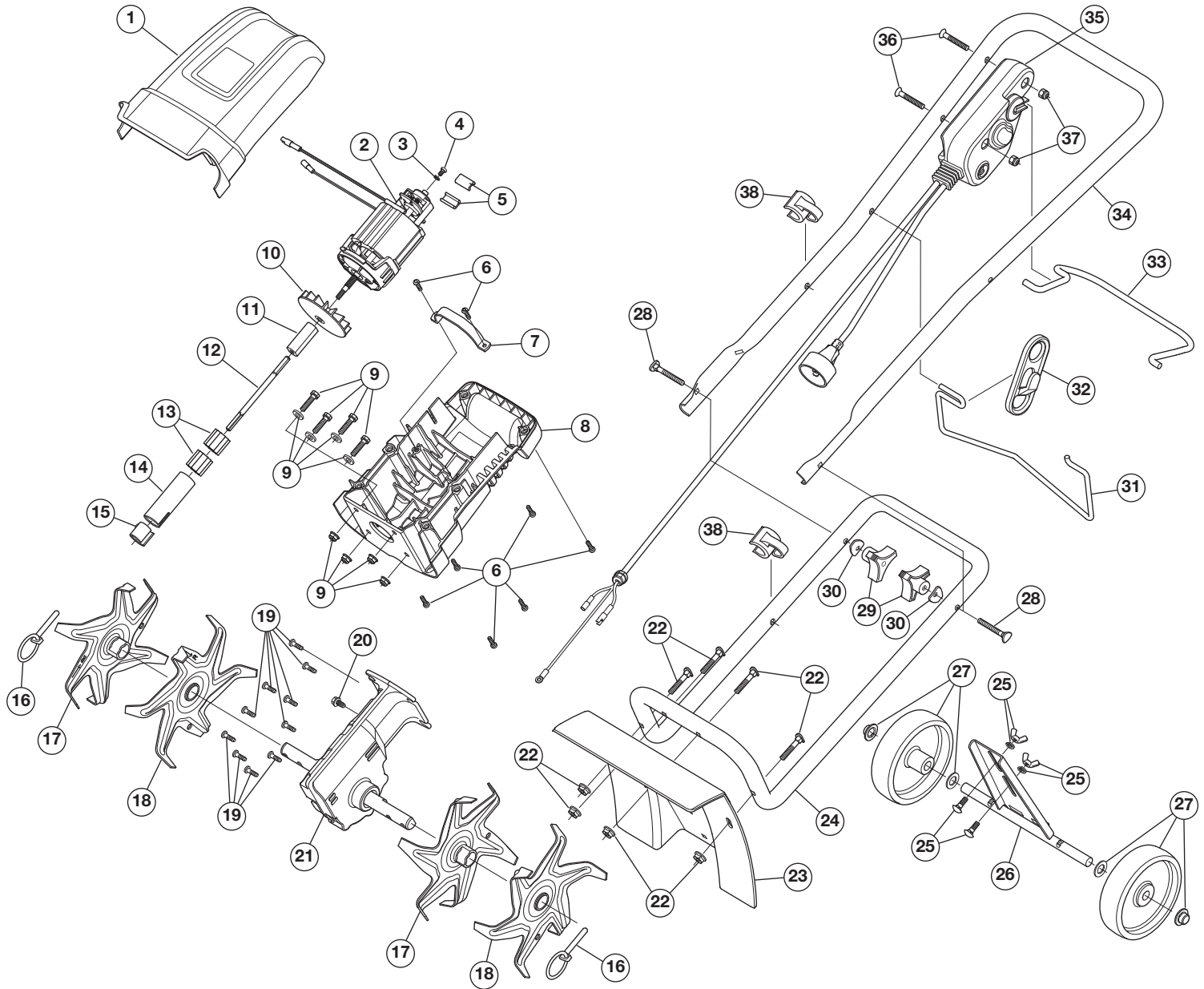


REPLACEMENT PARTS - MODEL RM151C ELECTRIC CULTIVATOR

PPN 21B-151A983



Item	Part No.	Description	Item	Part No.	Description
1	753-06380	Front Motor Cover	20	710-0599	Sleeve Retainer Bolt
2	924-04008	Motor Assembly	21	753-06063	Gear Box Assembly
3	1625	Lock Washer	22	791-182681	Handle Bar Mounting Hardware (Lower)
4	791-145569	Screw	23	753-06374	Guard
5	50545	Motor Pad	24	753-06372	Lower Handle Bar
6	710-04508	Screw	25	791-182684	Wheel Bracket Mounting Hardware
7	753-06382	Motor Strap	26	753-05024	Wheel Bracket Assembly
8	753-06379	Rear Motor Cover	27	753-04437	Wheel Assembly
9	753-06373	Guard Mounting Hardware	28	791-182899	Bolt
10	791-180155	Fan	29	791-182677	Knob
11	753-06381	Motor Hub	30	753-04052	Washer
12	753-06383	Flex Shaft	31	747-04133	Guide Bar
13	753-06377	Flex Tube Assembly	32	726-0368-0637	Cord Restraint
14	753-06375	Boom Tube	33	747-05713	Bail
15	753-04078	Sleeve	34	753-06371	Upper Handle Bar
16	753-05985	Click Pin	35	625-04027A	Switch Assembly
17	753-05983	Tine Assembly (Left Inner or Right Outer)	36	710-04213	Screw
18	753-05984	Tine Assembly (Left Outer or Right Inner)	37	753-05647	Nut
19	791-182195	Screw	38	731-1820	Cable Guide