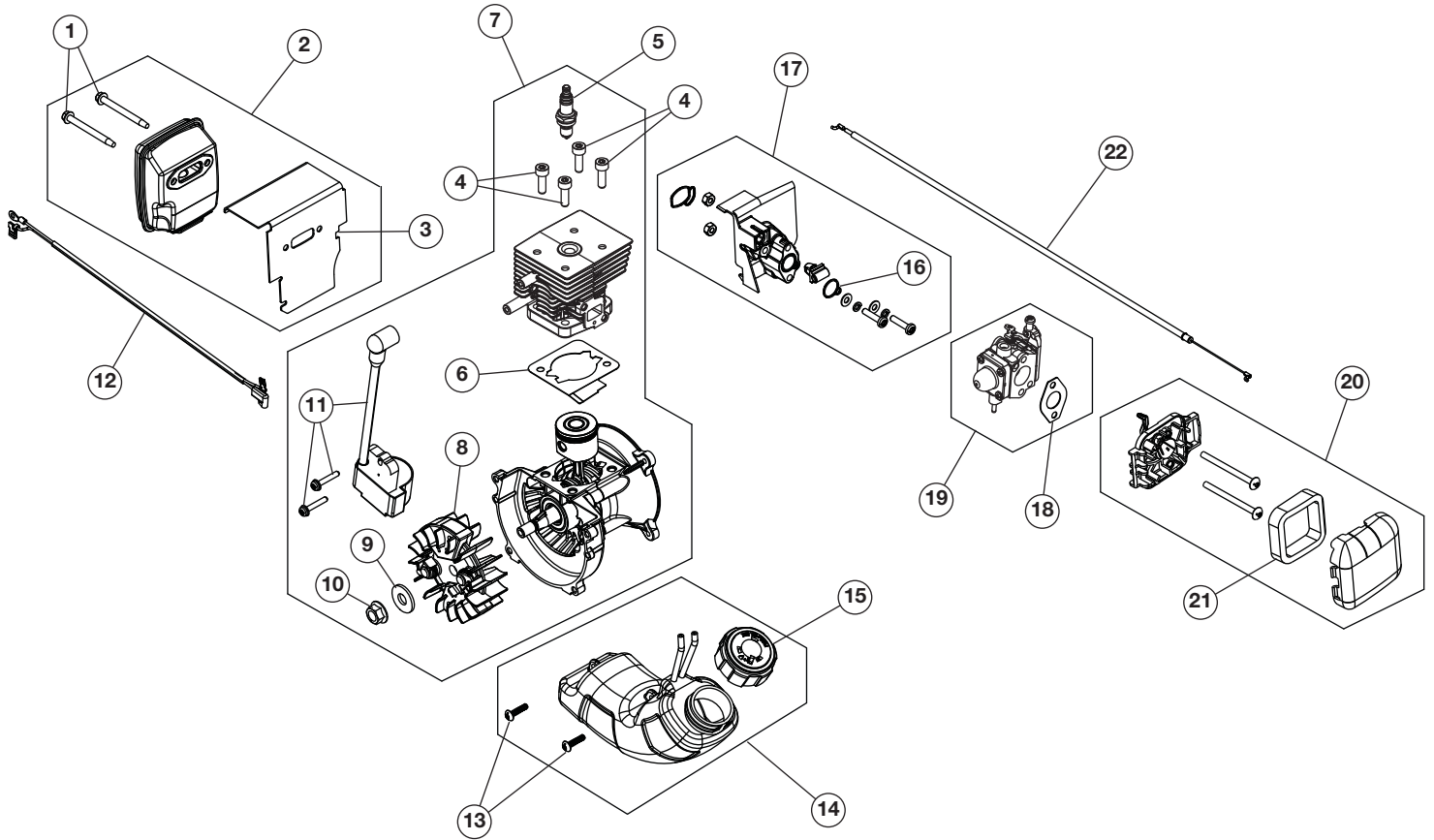


REPLACEMENT PARTS - MODEL RM2BL 2-CYCLE HANDHELD BLOWER

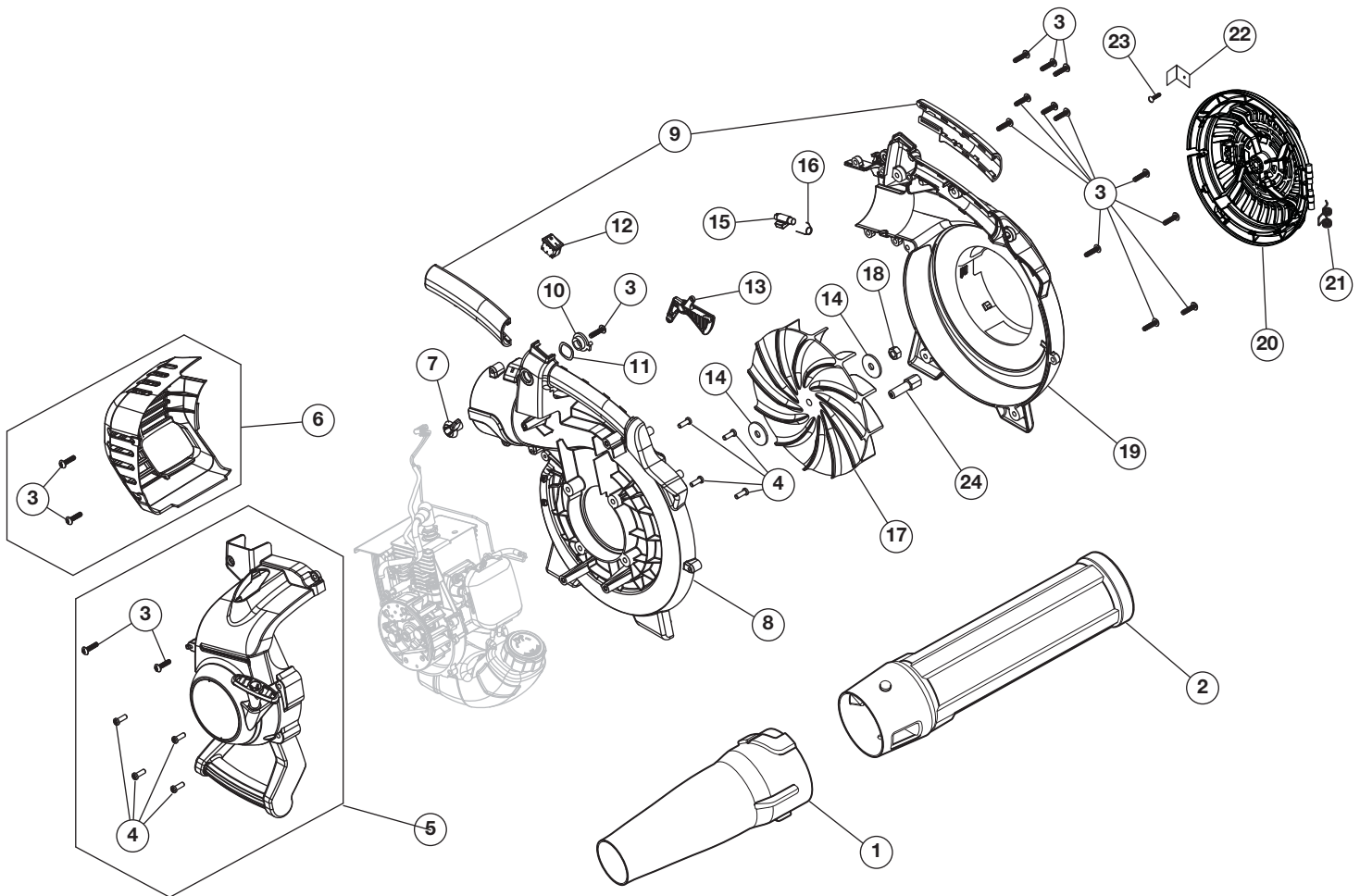
PPN 41AS2HBC983



Item	Part No.	Description	Item	Part No.	Description
1	753-06294	Muffler Screws	12	753-05949	Lead Wire
2	753-06027	Muffler Assembly (includes 1 & 3)	13	710-04194	Screw
3	753-05946	Muffler Gasket	14	753-06720	Fuel Tank Assembly (includes 13 & 15)
4	710-04715	Screw	15	791-182529	Fuel Cap
5	753-06193	Spark Plug	16	753-06185	Insulator Gasket
6	753-06827	Cylinder Gasket	17	753-06189	Insulator Assembly (includes 16)
7	753-06687	Shortblock Assembly (includes 4-6 & 8-11)	18	753-06253	Carburetor Gasket
8	753-06175	Flywheel Assembly	19	753-06753	Carburetor Assembly (includes 18)
9	736-04107	Washer	20	753-05725	Aircleaner Assembly (includes 21)
10	712-04137	Nut	21	791-181757	Air Filter
11	753-06443	Module Assembly	22	753-06690	Throttle Cable

REPLACEMENT PARTS - MODEL RM2BL 2-CYCLE HANDHELD BLOWER

PPN 41AS2HBC983



Item	Part No.	Description
1	753-06000	Nozzle
2	753-05936	Upper Blower Tube
3	710-04194	Screw
4	791-181862	Screw
5	753-08298	Engine Cover Assembly (includes 3 & 4)
6	753-06698	Muffler Cover Assembly (includes 3)
7	753-05932	Outer Trigger Lock
8	753-06693	Impeller Housing
9	753-05919	Handle Grips
10	753-05924	Inner Trigger Lock
11	753-05925	Wavy Washer
12	791-182405	Switch

Item	Part No.	Description
13	753-05930	Throttle Trigger
14	753-05928	Washer
15	753-05926	Latch Tube
16	753-05939	Latch Spring
17	753-05929	Impeller
18	912-0237	Nut
19	753-06679	Impeller Housing
20	753-06699	Intake Cover
21	753-05918	Spring
22	753-06696	Door Lock
23	1755	Screw
24	753-06700	Adapter