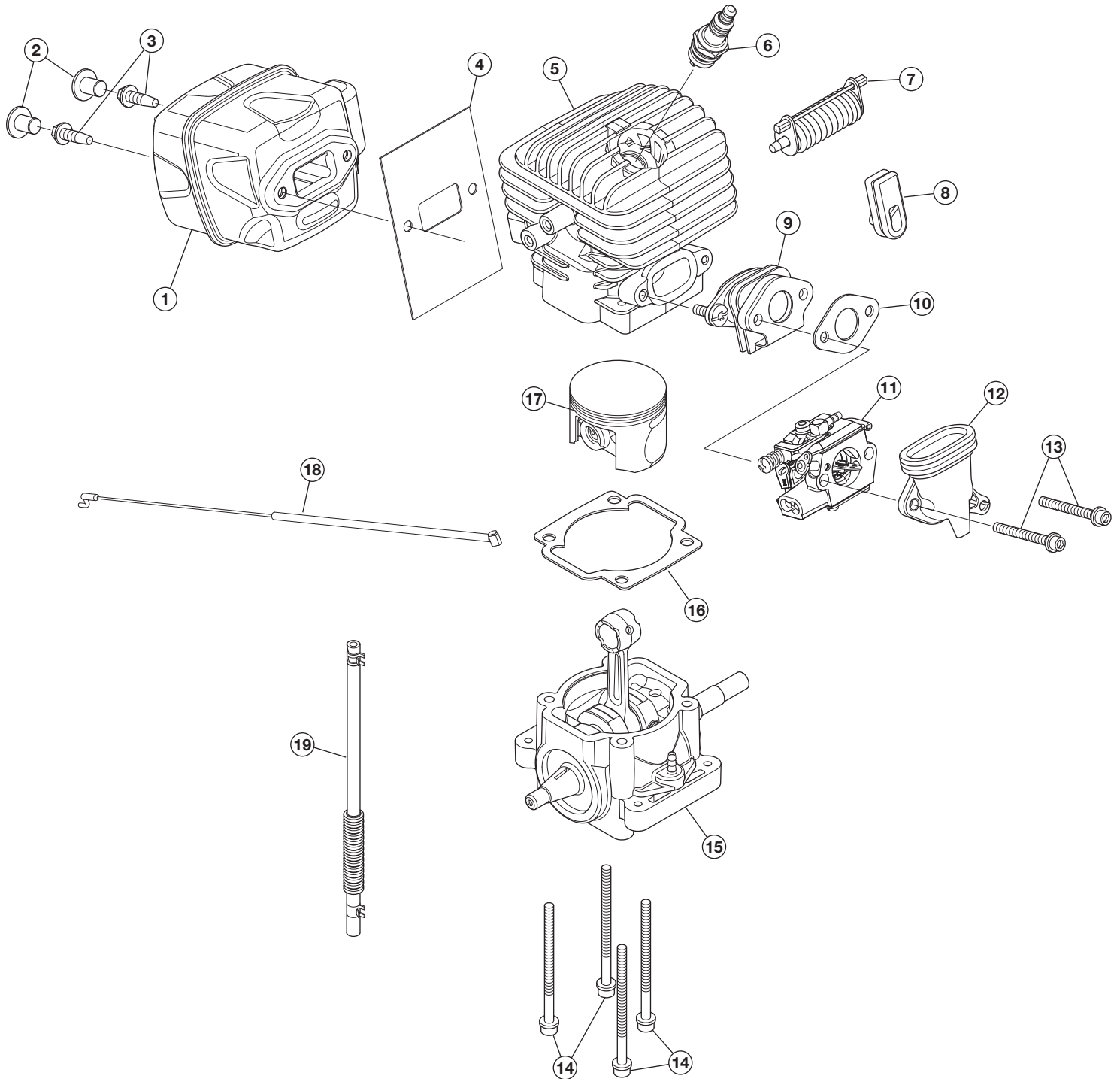


REPLACEMENT PARTS - MODEL RM5118R

2-CYCLE CHAINSAW

PPN 41BY80AG983

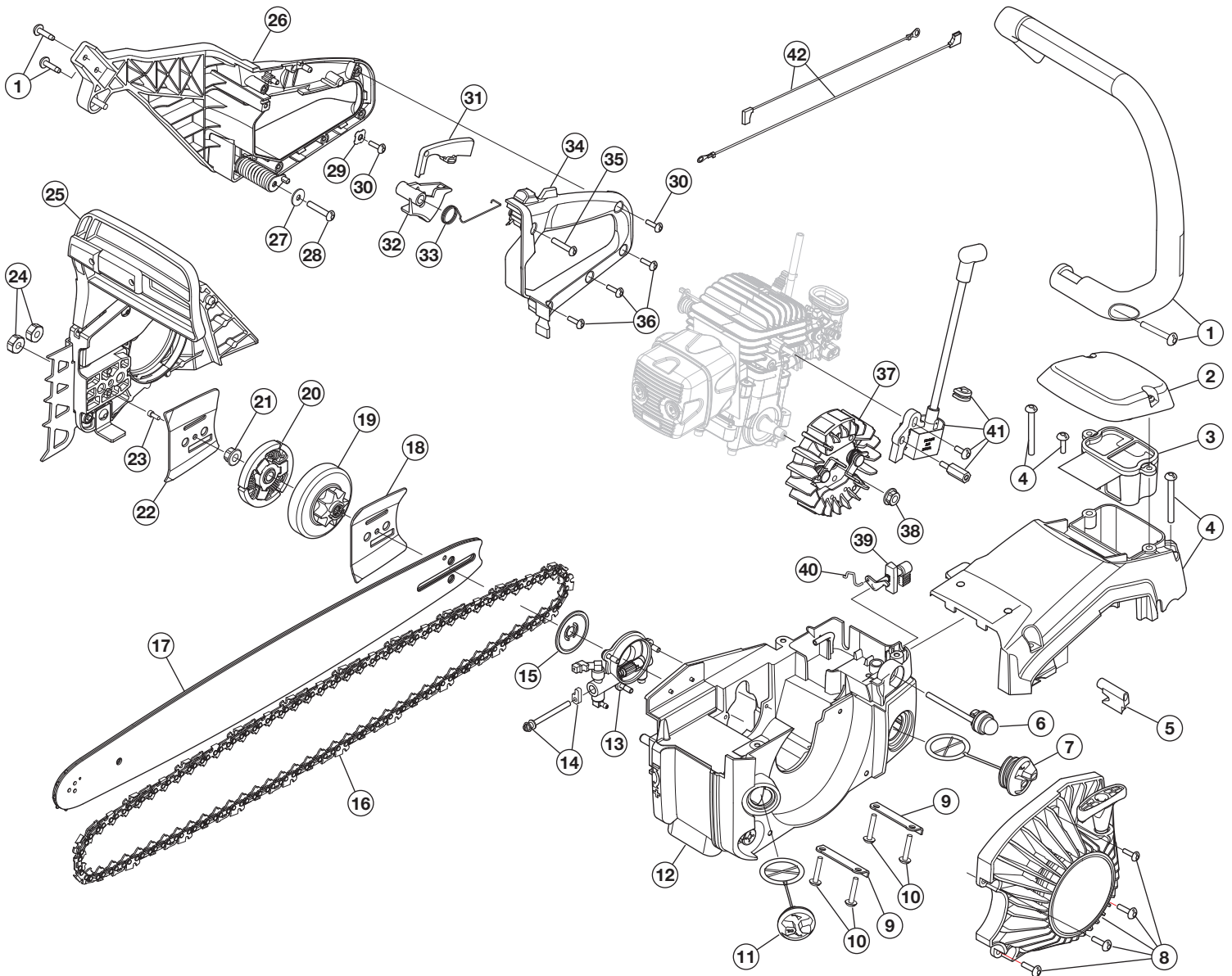


| Item | Part No. | Description |
|------|-----------|--------------------------------------|
| 1 | 753-06268 | Muffler Assembly (includes 2, 3 & 4) |
| 2 | 753-06507 | Muffler Plug |
| 3 | 753-06397 | Muffler Screw |
| 4 | 753-06398 | Muffler Gasket |
| 5 | 753-06724 | Cylinder Assembly |
| 6 | 753-06269 | Spark Plug |
| 7 | 753-06404 | Isolator Assembly |
| 8 | 753-06411 | Grommet |
| 9 | 753-06727 | Insulator Assembly |
| 10 | 753-06406 | Carburetor Gasket |

| Item | Part No. | Description |
|------|-----------|---|
| 11 | 753-06728 | Carburetor |
| 12 | 753-06385 | Boot & Bracket Assembly (includes 8 & 18) |
| 13 | 753-06410 | Carburetor Hardware |
| 14 | 753-06402 | Cylinder Hardware |
| 15 | 753-06729 | Shortblock Assembly (includes 4 - 10) |
| 16 | 753-06400 | Cylinder Gasket |
| 17 | 753-06725 | Piston Assembly |
| 18 | 753-06409 | Throttle Cable |
| 19 | 753-06726 | Breather Hose (with Clamp) |

REPLACEMENT PARTS - MODEL RM5118R 2-CYCLE CHAINSAW

PPN 41BY80AG983



| Item | Part No. | Description |
|------|-----------|---|
| 1 | 753-06483 | Handle Assembly with Screws |
| 2 | 753-06458 | Air Cleaner Cover Assembly |
| 3 | 753-06457 | Air Cleaner Assembly |
| 4 | 753-06456 | Top Cover Assembly |
| 5 | 753-06739 | Boot |
| 6 | 753-06425 | Primer Bulb Assembly |
| 7 | 753-06978 | Fuel Cap |
| 8 | 753-06974 | Starter Housing Assembly |
| 9 | 753-06431 | Engine Mount Plate Assembly (includes 10) |
| 10 | 753-06429 | Engine Mount Screw |
| 11 | 753-06505 | Oil Cap |
| 12 | 753-06730 | Housing Assembly (includes 6, 7 & 11) |
| 13 | 753-06387 | Oil Pump Assembly |
| 14 | 753-06484 | Tension Screw & Nut Assembly |
| 15 | 753-06451 | Oil Pump Shield |
| 16 | 753-06265 | 18" Chain |
| 17 | 753-06977 | Chain Guide Bar |
| 18 | 753-06740 | Inner Guide Plate |
| 19 | 753-06450 | Clutch Drum Assembly |
| 20 | 753-06449 | Clutch |
| 21 | 753-06461 | Clutch Nut |
| 22 | 753-06488 | Outer Guide Plate |
| 23 | 753-06487 | Guide Plate Screw |

| Item | Part No. | Description |
|------|-----------|--|
| 24 | 753-06460 | Chain Guide Bar Nut |
| 25 | 753-06973 | Chain Brake Assembly |
| 26 | 753-06738 | Rear Handle Assembly |
| 27 | 753-06477 | Grip Anti-vibration Washer |
| 28 | 753-06478 | Grip Anti-vibration Screw |
| 29 | 753-06479 | Throttle Clamp Washer |
| 30 | 753-06470 | Throttle Clamp Screw |
| 31 | 753-06735 | Trigger Release |
| 32 | 753-06736 | Throttle Trigger |
| 33 | 753-06466 | Trigger Release Spring |
| 34 | 753-06734 | Rear Handle Cover Assembly (with Switch) |
| 35 | 753-06467 | Upper Grip Screw |
| 36 | 753-06468 | Lower Grip Screw |
| 37 | 753-06426 | Flywheel Assembly |
| 38 | 753-06427 | Flywheel Nut |
| 39 | 753-06737 | Choke Lever Assembly |
| 40 | 753-06474 | Choke Rod |
| 41 | 753-06432 | Module Assembly |
| 42 | 753-06510 | Ground Wire |
| * | | Items Not Shown |
| * | 753-06489 | Case |
| * | 753-06490 | Wrench |