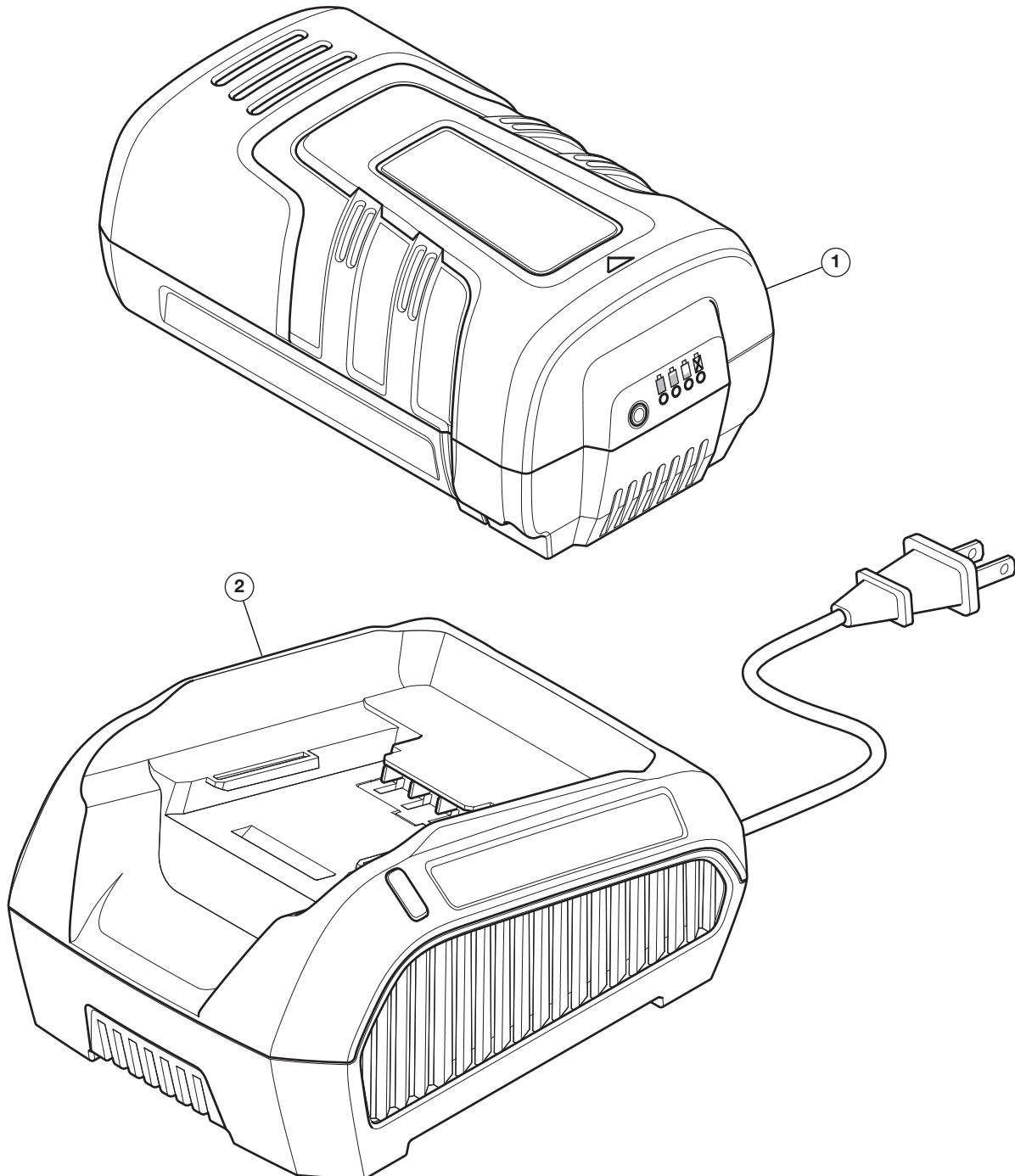


# REPLACEMENT PARTS - MODEL RM4000 and RM4000B CORDLESS TRIMMER

PPN 41AE40VG983 and 41AE40VB983

Item	Part No.	Description	* Optional Items
1	49MA25AQ983	2.5 Ah Lithium-Ion Battery*	* 49MA40AQ983 4 Ah Lithium-Ion Battery
2	49MA40VQ983	Charger*	* 49MA50AQ983 5 Ah Lithium-Ion Battery

\* Not included in the initial purchase of model RM4000B



# REPLACEMENT PARTS - MODEL RM4000 and RM4000B

## CORDLESS TRIMMER

PPN 41AE40VG983 and 41AE40VB983

Item	Part No.	Description
1	A05Q3700001R	Handle Assembly
2	A05Q1720001R	Shield and Blade Assembly
3	A05Q4930001R	Cutting Head Assembly (includes 4 - 9)
4	A05Q2980001R	Fan
5	J08400001021R	Nut
6	J05Q0370001R	Spring
7	Q05Q01VOH33R	Bump Knob
8	A05Q2450004R	Inner Reel and Line (Line not shown)
9	Q05Q3650H33R	Spool Cover

